

SailClever.com

Providing navigational and tactical solutions to the club sailor

How to I connect the Bluetooth transmitter to my RayMarine instruments?

To do this you need to connect the cable for the bluetooth transmitter (shown in Figure 1) into the Raymarine NMEA Interface box (Part No. SB676) shown below.

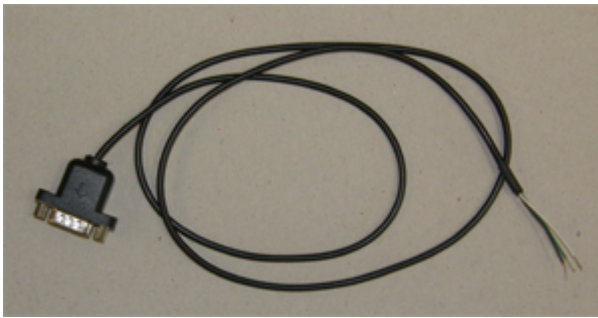


Figure 1 Bluetooth connection cable

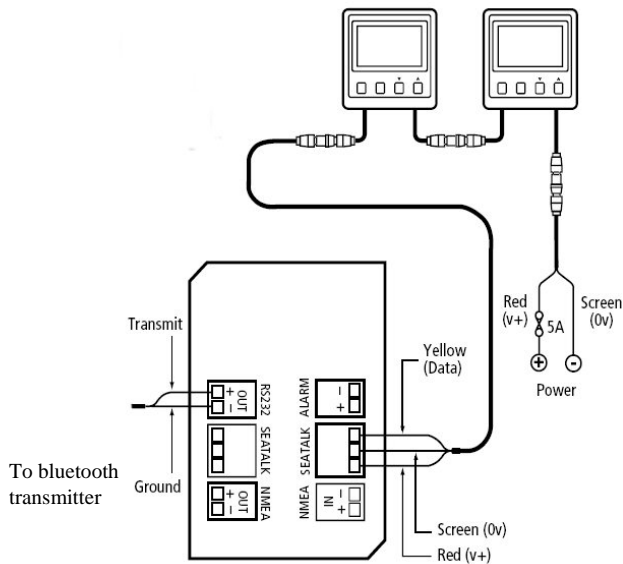


Figure 2 RayMarine NMEA interface box wiring diagram

First connect the power cable to your instrument power supply (red is positive, black is negative). Next wire the data cable into the NMEA interface box. Connect the black wire (labeled 3) to RS232 Out - and the white wire (labeled 2) to RS232 Out + to transmit as shown in Figure 2. Then plug dongle into the cable and you are ready to go!